

STAND UP SERIES DESKS

The height-adjustable STAND UP series is a perfect combination of functionality and design, featuring elegant appearance and a seamless cable solution.





STAND UP Height Adjustable Desk / Cable Tray



STAND UP Height Adjustable Desk / Modesty Panel



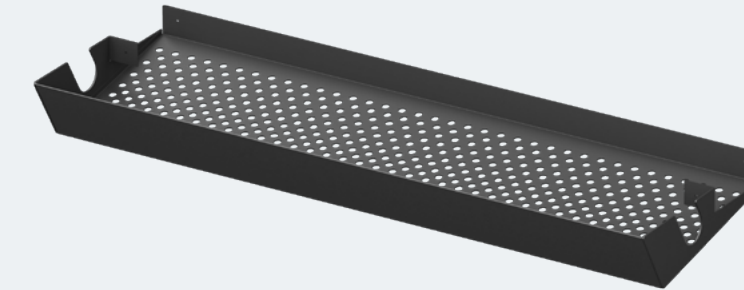
STAND UP Height Adjustable Desk / Acoustic Screen

FEATURES

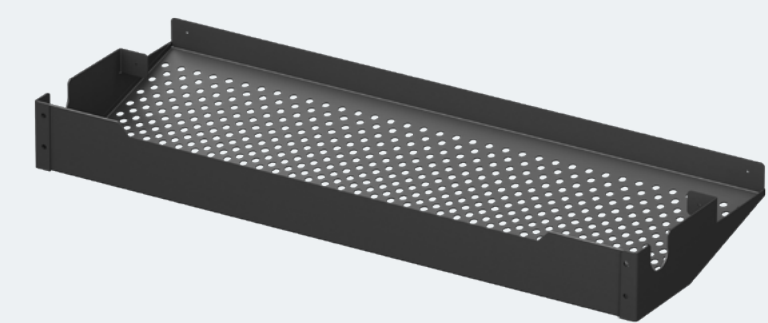
- / Anti-collision desk sensor based on gyroscope-technology, detects both hard and soft obstructions
- / 2 motors
- / Noise level up to 52 dB
- / Max. speed: 38 mm/s load-free
- / Lifts up to 140 kg
- / 0.1 Watts standby power usage



/ No holes for attachment of a screen/modesty panel



/ Includes holes for attachment of a screen/modesty panel



DESK TOP

- / 12 mm Compact Laminate with Black Filler
- / 18 mm Melamine Faced Chipboard (MFC) with 2 mm ABS edging
- / Optional cut-out for power hub on the right side
- / Desk top with retractable tray for cable management

Power hub
→



METAL TRAY

- / Includes holes for attachment of a screen/modesty panel
- / No holes for attachment of a screen/modesty panel
- / Power cables concealed full
- / Perforated plate

Desk top with retractable tray for cable management
→



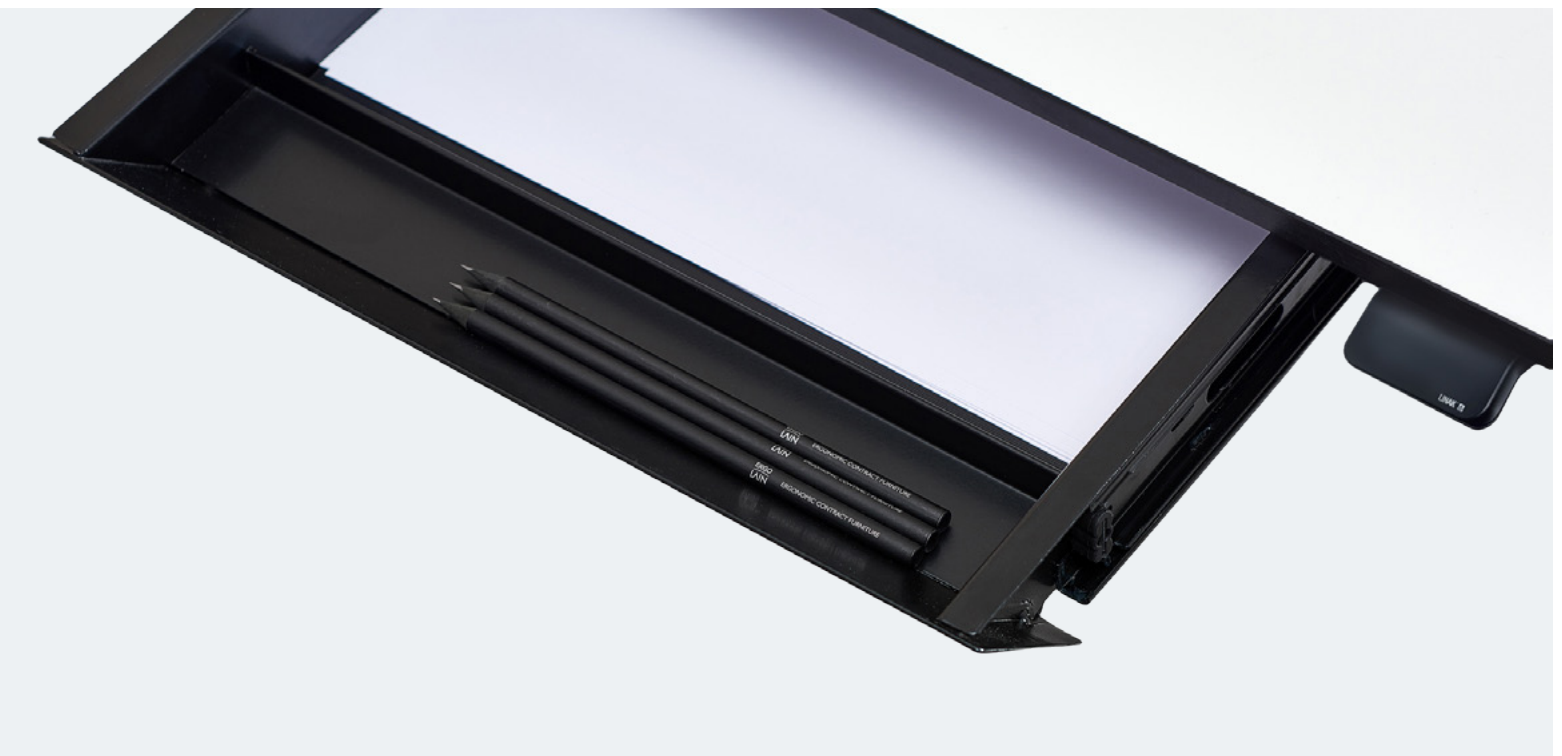
CONTROLLER

- / Adjustable height
- / Two pre-set heights
- / Reminder to change position
- / Easy management via the Desk Control™ app



METAL DRAWER

- / Rubber mat lining
- / Ball bearing slides



ELEVATING LEGS

- / 2-Part Stand Height Range
- 714-1214 mm incl. Compact Laminate desk top
- 718-1218 mm incl. MFC desk top
- Column dimensions: 50 x 80 mm (outer profile)
- 43.5 x 73.5 mm (inner profile)

Two-Part
Column Design
→



FEET

- / 688x65x49 mm
- / Can be adjust up to 10 mm



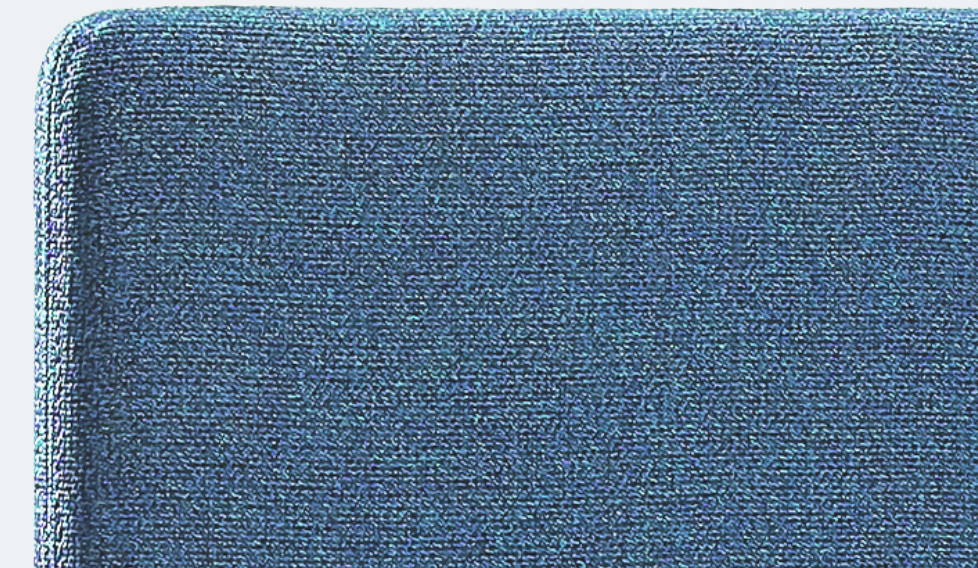
- / 3-Part Stand Height Range
- 629-1279 mm incl. Compact Laminate Tabletop
- 633-1283 mm incl. MFC Tabletop
- Column dimensions: 50 x 80 mm (outer profile)
- 43.5 x 73.5 mm (middle profile)
- 37 x 67 mm (inner profile)

Three-Part
Column Design
→



SCREEN

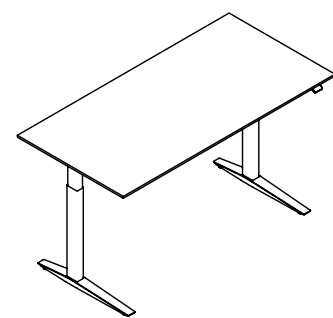
- / 10mm chipboard. Thermo-bonded wadding. Fabric
- / Rounded corners
- / Attached to the metal tray



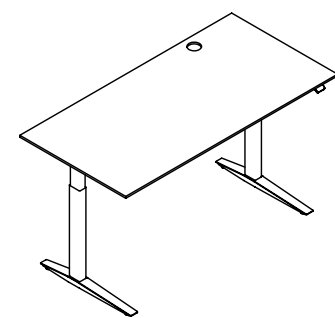
CABLE COVER

- / Attached to the leg with magnetic strip

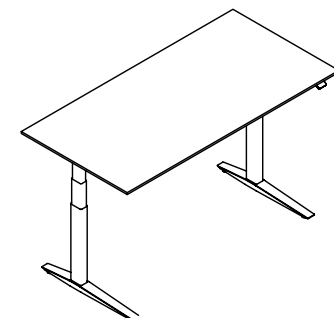




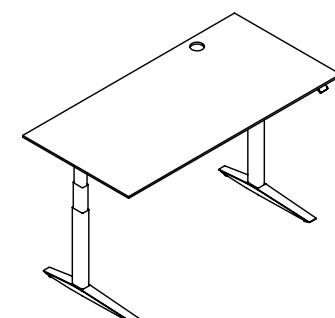
S5C.14 1400 x 800 x 714-1214
 S5C.16 1600 x 800 x 714-1214
 S5C.18 1800 x 800 x 714-1214
 S5L.14 1400 x 800 x 718-1218
 S5L.16 1600 x 800 x 718-1218
 S5L.18 1800 x 800 x 718-1218



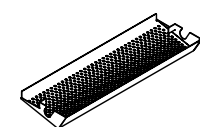
S5C.14P 1400 x 800 x 714-1214
 S5C.16P 1600 x 800 x 714-1214
 S5C.18P 1800 x 800 x 714-1214
 S5L.14P 1400 x 800 x 718-1218
 S5L.16P 1600 x 800 x 718-1218
 S5L.18P 1800 x 800 x 718-1218



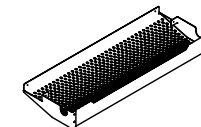
S6C.14 1400 x 800 x 629-1279
 S6C.16 1600 x 800 x 629-1279
 S6C.18 1800 x 800 x 629-1279
 S6L.14 1400 x 800 x 633-1283
 S6L.16 1600 x 800 x 633-1283
 S6L.18 1800 x 800 x 633-1283



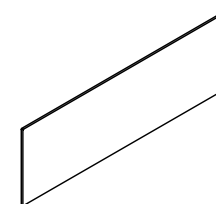
S6C.14P 1400 x 800 x 629-1279
 S6C.16P 1600 x 800 x 629-1279
 S6C.18P 1800 x 800 x 629-1279
 S6L.14P 1400 x 800 x 633-1283
 S6L.16P 1600 x 800 x 633-1283
 S6L.18P 1800 x 800 x 633-1283



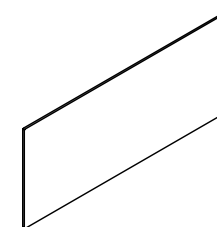
SLO.14 827 x 340 x 105
 SLO.16 1027 x 340 x 105
 SLO.18 1227 x 340 x 105



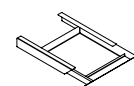
SLP.14 827 x 369 x 106
 SLP.16 1027 x 369 x 106
 SLP.18 1227 x 369 x 106



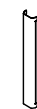
SK.14 1300 x 12 x 500
 SK.16 1500 x 12 x 500
 SK.18 1700 x 12 x 500



SP.14 1300 x 12 x 650
 SP.16 1500 x 12 x 650
 SP.18 1700 x 12 x 650



SPS 341 x 415 x 54



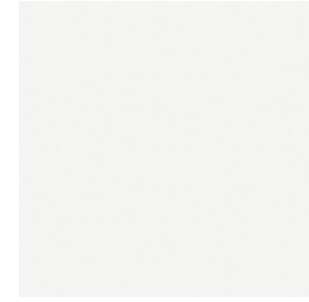
COV.DL5 80 x 22 x 594
 COV.DL6 80 x 22 x 498

METAL



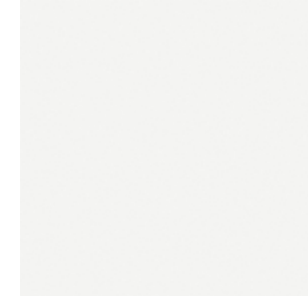
B
RAL 9005 black,
smooth matt

COMPACT



C1
12mm Compact
White VV 13XLS,
black core

MFC



1
W10003VV White,
Pfleiderer



2
U708 ST9 Light Grey,
Egger



7
U12290MP
Anthracite,
Pfleiderer



8
3025 SN Light
Sonoma Oak,
Kronospan

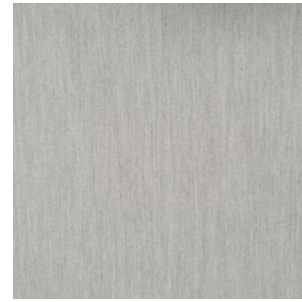


6
R20119LN American
Oak, Pfleiderer



9
R20168 LN
Sherwood Mocca,
Pfleiderer

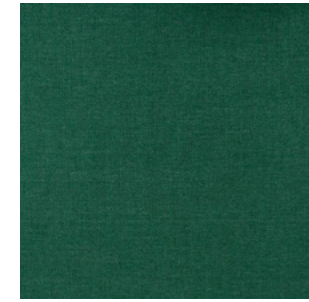
FABRIC Viggo



10 Sugar



36 Cinnamon



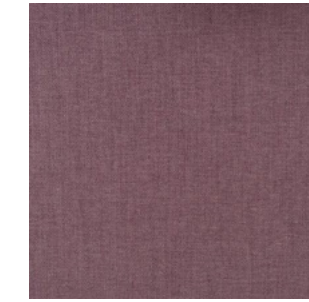
3 Avocado



5 Curry



11 Rose hip



51 Lilac



32 Soda



2 Indigo



17 Tin



7 Graphite

Manufacturer

Nevotex

Composition

93% Polyester
5% Cotton
2% Nylon

Width

140 cm

Abrasion resistance

78 700 MD

Weight

300 g/m²

Pilling

4

Flammability

BS 5852:1979 part 1
EN 1021 1:2014