



VU Executive Desk / Modesty Panel / Power Dot Built-In Power Outlet

### DESK TOP

- / 25 mm Melamine Faced Chipboard (MFC) with 2 mm ABS edging
- / Desks with cut-out for power hub
- / Benches with access to cable management

↓ Power hub

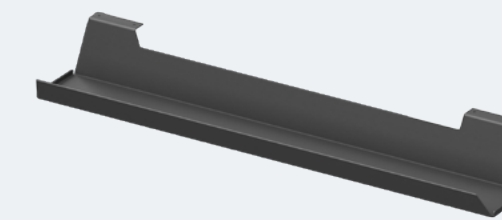


### METAL FRAME

- / Fixed length. Metal profile 40x10 mm. Powder coated

### METAL TRAY

- / Attached to the desk top. Powder coated



↑ Single metal tray

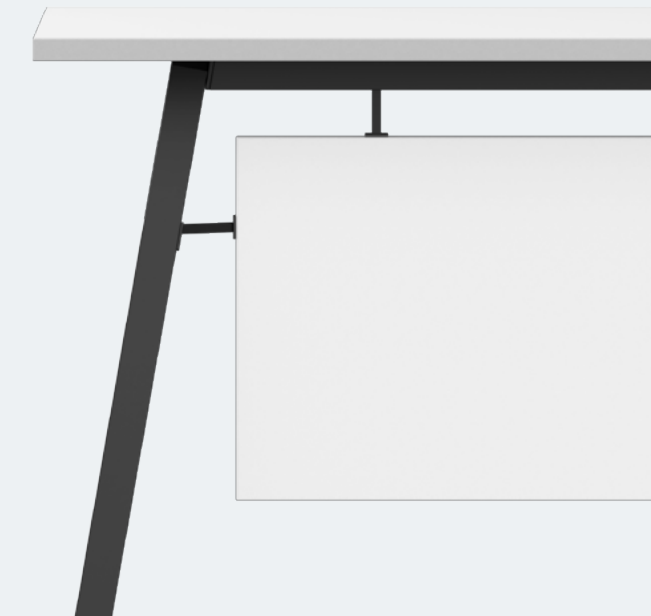
### LEGS

- / Metal Profile 40x20 mm. Powder coated
- / Adjustable feet. Can be adjusted up to 10 mm



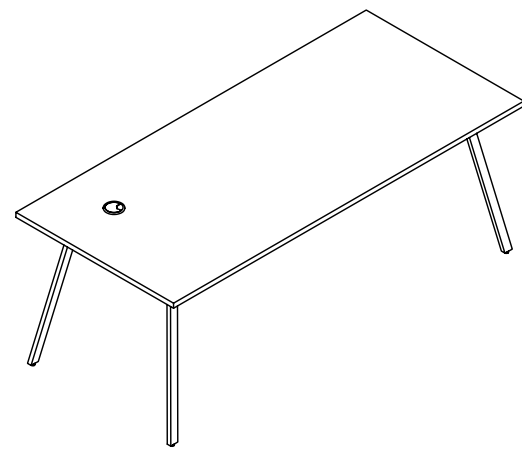
### MODESTY PANEL

- / 18 mm Melamine Faced Chipboard (MFC) with 2 mm ABS edging
- / Attached to the desk top with four metal brackets

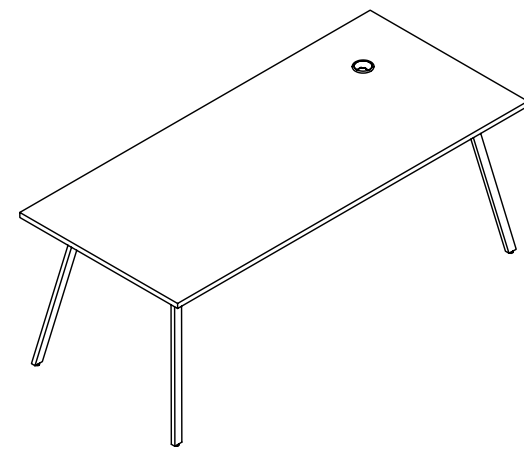


### METAL FRAME

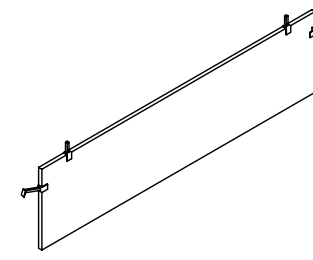
- / Fixed length. Metal profile 40x10 mm. Powder coated



UV1L 1800 900 750  
UV2L 2000 900 750



UV1R 1800 900 750  
UV2R 2000 900 750



UU18 1360 18 400  
UU20 1560 18 400

## METAL



W3  
RAL 9003 white,  
smooth matt



G6  
RAL 9006, metallic

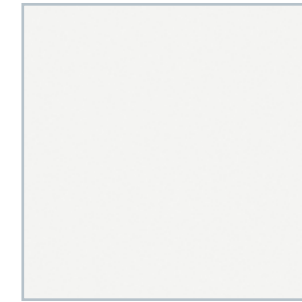


G2  
RAL 7012 basalt  
grey, smooth matt



B  
RAL 9005 black,  
smooth matt

## MFC



1  
W10003VV White,  
Pfleiderer



2  
U708 ST9 Light Grey,  
Egger



7  
U12290MP  
Anthracite,  
Pfleiderer



8  
3025 SN Light  
Sonoma Oak,  
Kronospan



6  
R20119LN American  
Oak, Pfleiderer



9  
R20168 LN  
Sherwood Mocca,  
Pfleiderer

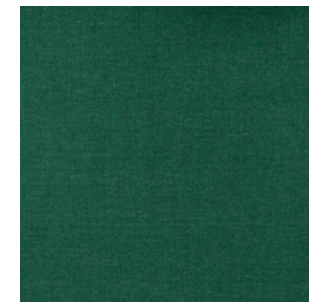
## FABRIC Viggo



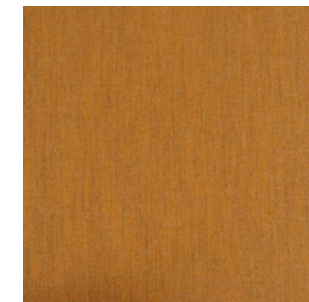
10 Sugar



36 Cinnamon



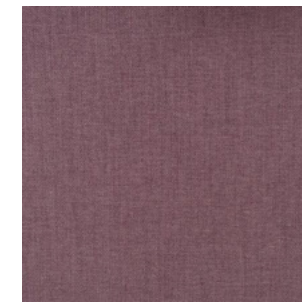
3 Avocado



5 Curry



11 Rose hip



51 Lilac



32 Soda



2 Indigo



17 Tin



7 Graphite

### Manufacturer

Nevotex

### Composition

93% Polyester  
5% Cotton  
2% Nylon

### Width

140 cm

### Abrasion resistance

78 700 MD

### Weight

300 g/m<sup>2</sup>

### Pilling

4

### Flammability

BS 5852:1979 part 1  
EN 1021 1:2014