



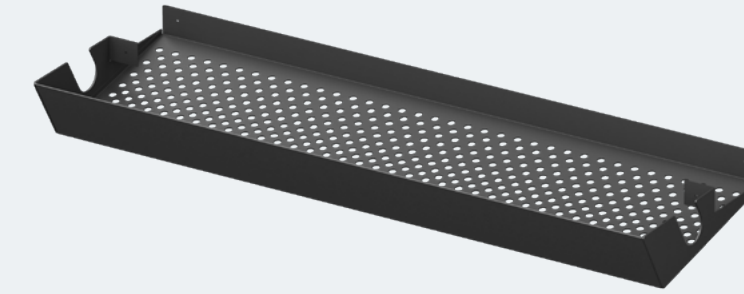
STAND UP Executive Desk / Three-Segment Height Adjustable Legs /
Metal Cable Tray / HPL Compact Desktop / Power Dot Built-In Power Hub

FEATURES

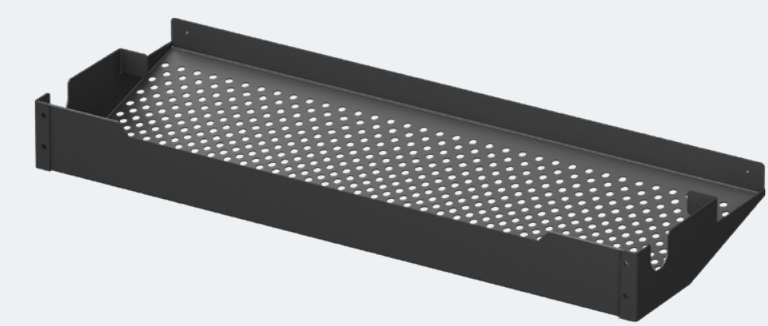
- / Anti-collision desk sensor based on gyroscope-technology, detects both hard and soft obstructions
- / 2 motors
- / Noise level up to 52 dB
- / Max. speed: 38 mm/s load-free
- / Lifts up to 140 kg
- / 0.1 Watts standby power usage



/ No holes for attachment of a screen/modesty panel



/ Includes holes for attachment of a screen/modesty panel



DESK TOP

- / 12 mm Compact Laminate with Black Filler
- / 18 mm Melamine Faced Chipboard (MFC) with 2 mm ABS edging
- / Optional cut-out for power hub on the right side
- / Desk top with retractable tray for cable management

Power hub
→



METAL TRAY

- / Includes holes for attachment of a screen/modesty panel
- / No holes for attachment of a screen/modesty panel
- / Power cables concealed full
- / Perforated plate

Desk top with retractable tray for cable management
→



CONTROLLER

- / Adjustable height
- / Two pre-set heights
- / Reminder to change position
- / Easy management via the Desk Control™ app



METAL DRAWER

- / Rubber mat lining
- / Ball bearing slides



ELEVATING LEGS

- / 2-Part Stand Height Range
- 714-1214 mm incl. Compact Laminate desk top
- 718-1218 mm incl. MFC desk top
- Column dimensions: 50 x 80 mm (outer profile)
- 43.5 x 73.5 mm (inner profile)

Two-Part
Column Design
→



FEET

- / 688x65x49 mm
- / Can be adjust up to 10 mm



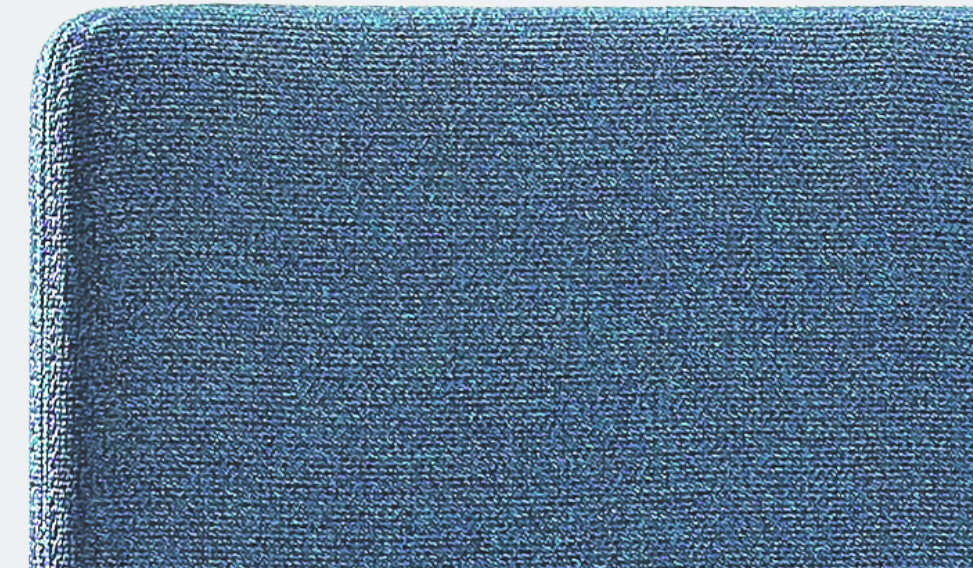
- / 3-Part Stand Height Range
- 629-1279 mm incl. Compact Laminate Tabletop
- 633-1283 mm incl. MFC Tabletop
- Column dimensions: 50 x 80 mm (outer profile)
- 43.5 x 73.5 mm (middle profile)
- 37 x 67 mm (inner profile)

Three-Part
Column Design
→



SCREEN

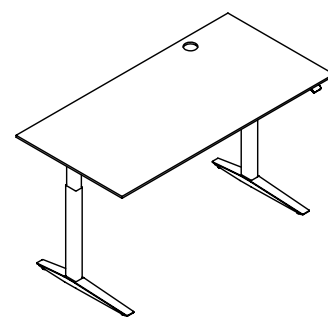
- / 10mm chipboard. Thermo-bonded wadding. Fabric
- / Rounded corners
- / Attached to the metal tray



CABLE COVER

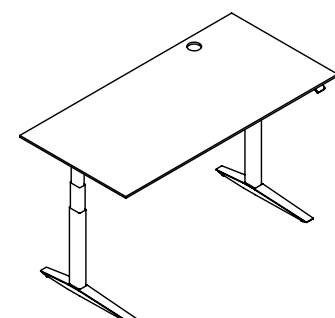
- / Attached to the leg with magnetic strip





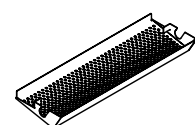
S5C.16P 1600 x 800 x 714-1214

S5C.18P 1800 x 800 x 714-1214



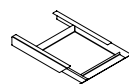
S6C.16P 1600 x 800 x 629-1279

S6C.18P 1800 x 800 x 629-1279



SLO.16 1027 x 340 x 105

SLO.18 1227 x 340 x 105



SPS 341 x 415 x 54



COV.DL5 80 x 22 x 594

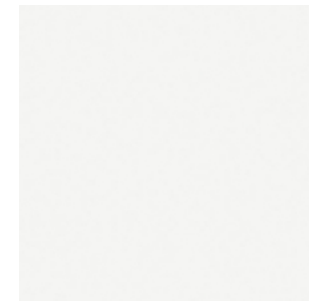
COV.DL6 80 x 22 x 498

METAL



B
RAL 9005 black,
smooth matt

COMPACT



C1
12mm Compact
White VV 13XLS,
black core

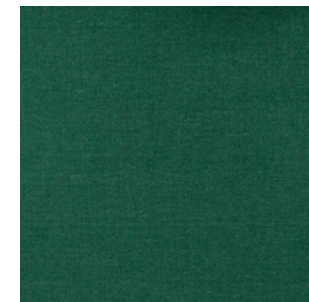
FABRIC Viggo



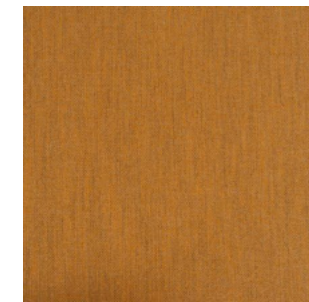
10 Sugar



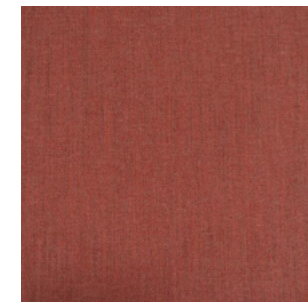
36 Cinnamon



3 Avocado



5 Curry



11 Rose hip



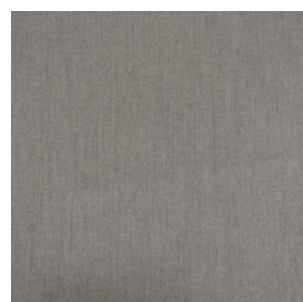
51 Lilac



32 Soda



2 Indigo



17 Tin



7 Graphite

Manufacturer

Nevotex

Composition

93% Polyester
5% Cotton
2% Nylon

Width

140 cm

Abrasion resistance

78 700 MD

Weight

300 g/m²

Pilling

4

Flammability

BS 5852:1979 part 1
EN 1021 1:2014