

VU SERIES DESKS

The VU series is characterised by elegance, innovative solutions and multiple customisation options.





VU Desk



VU Desk / Modesty Panel



VU Desk / Acoustic Screen



VU Benching System Desk (Double) / Acoustic Screen



VU Benching System (Four Workstations) / Acoustic Screens



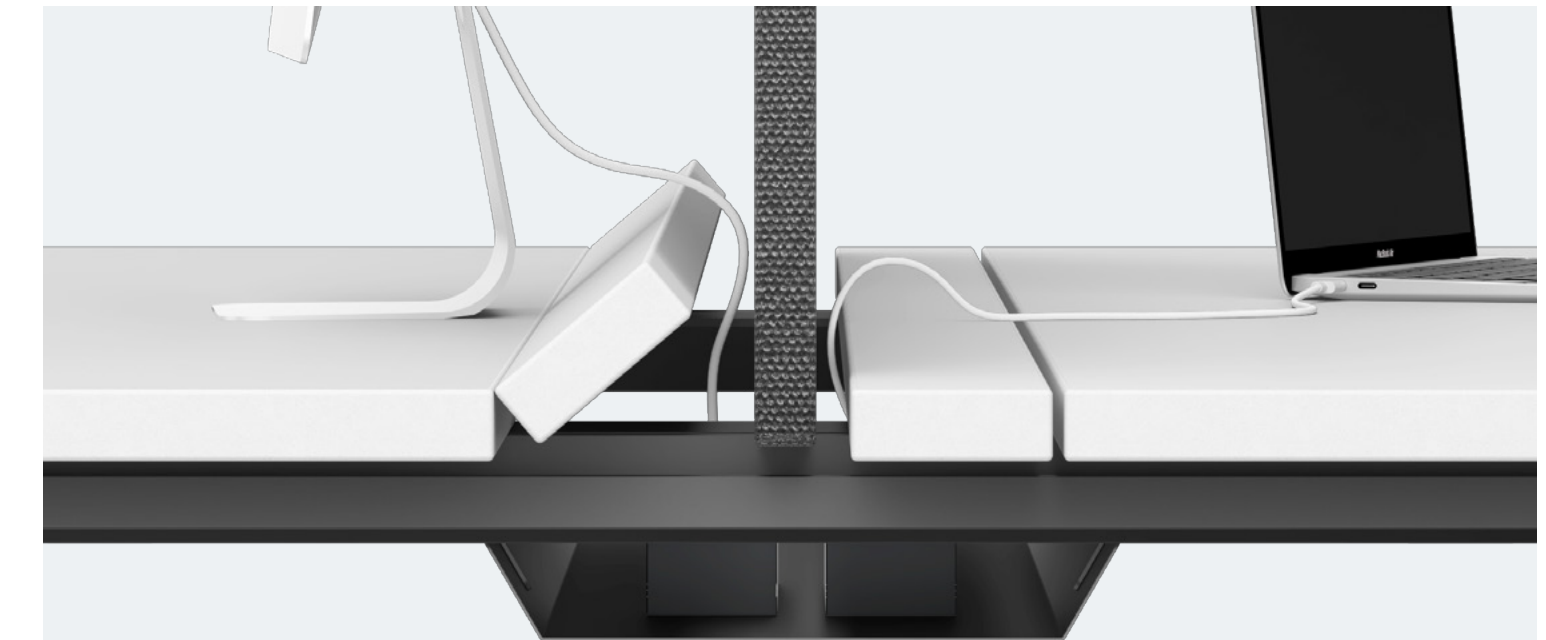
VU Table, Six Seater / Acoustic Screens



VU Executive Desk / Modesty Panel / Power Dot Built-In Power Outlet

DESK TOP

- / 25 mm Melamine Faced Chipboard (MFC) with 2 mm ABS edging
- / Desks with cut-out for power hub
- / Benches with access to cable management



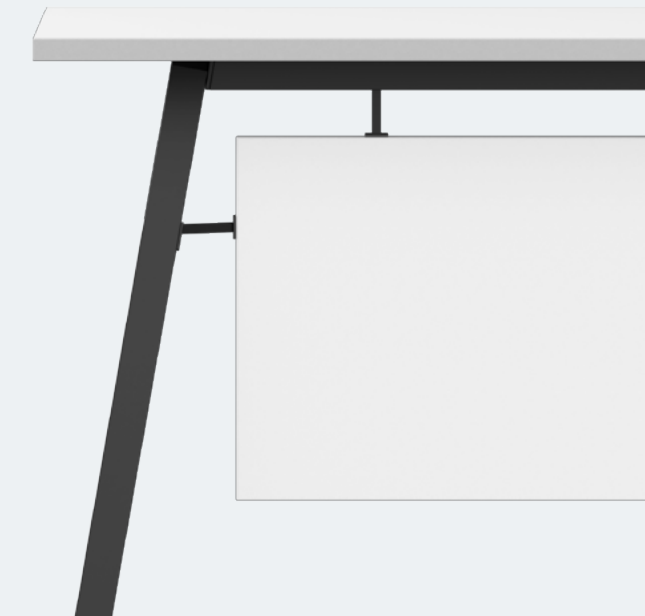
LEGS

- / Metal Profile 40x20 mm. Powder coated
- / Adjustable feet. Can be adjusted up to 10 mm



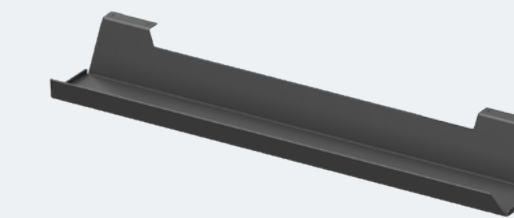
MODESTY PANEL

- / 18 mm Melamine Faced Chipboard (MFC) with 2 mm ABS edging
- / Attached to the desk top with four metal brackets

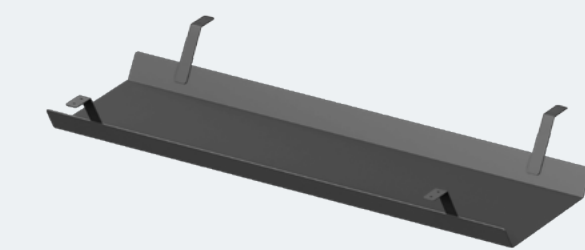


METAL TRAY

- / Attached to the desk top. Powder coated



↑ Single metal tray



↑ Double metal tray

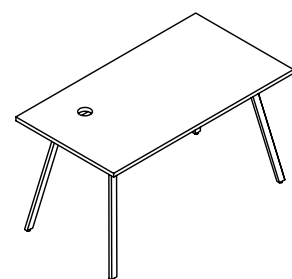
METAL FRAME

- / Fixed length. Metal profile 40x10 mm. Powder coated

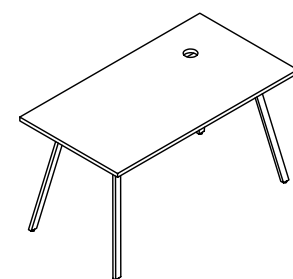
SCREEN

- / 18 mm chipboard. Thermo-bonded wadding. Fabric
- / Attached to the desk top with two metal brackets

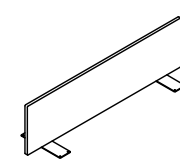




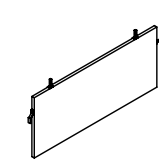
U14L	1380	750	750
U16L	1600	750	750
U18L	1800	750	750



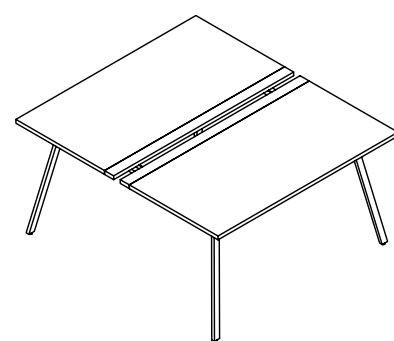
U14R	1380	750	750
U16R	1600	750	750
U18R	1800	750	750



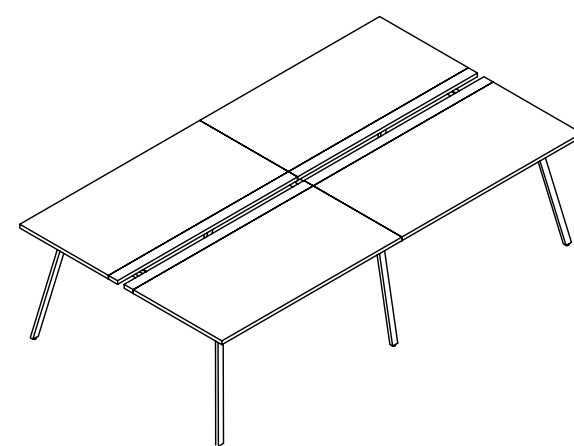
U140X	1180	22	325
U160X	1400	22	325
U180X	1600	22	325



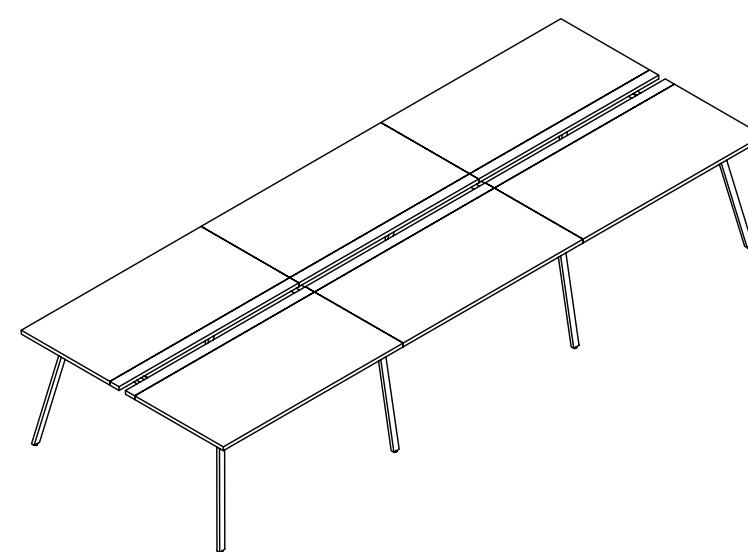
UU14	940	18	400
UU16	1160	18	400
UU18	1360	18	400



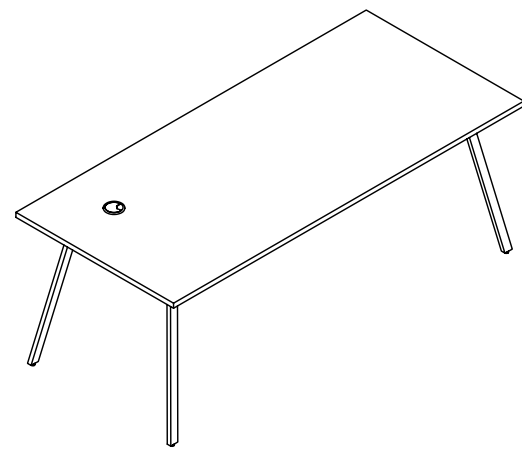
U24	1380	1550	750
U26	1600	1550	750
U28	1800	1550	750



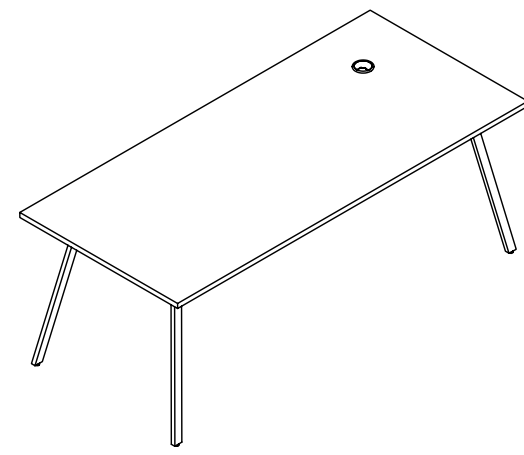
U44	2760	1550	750
U46	3200	1550	750
U48	3600	1550	750



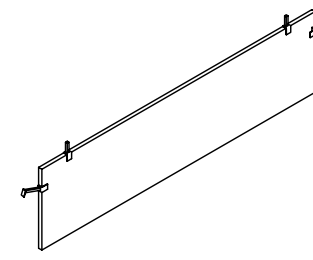
U64	4140	1550	750
U66	4800	1550	750
U68	5400	1550	750



UV1L 1800 900 750
UV2L 2000 900 750



UV1R 1800 900 750
UV2R 2000 900 750



UU18 1360 18 400
UU20 1560 18 400

METAL



W3
RAL 9003 white,
smooth matt



G6
RAL 9006, metallic

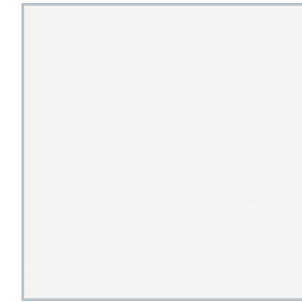


G2
RAL 7012 basalt
grey, smooth matt



B
RAL 9005 black,
smooth matt

MFC



1
W10003VV White,
Pfleiderer



2
U708 ST9 Light Grey,
Egger



7
U12290MP
Anthracite,
Pfleiderer



8
3025 SN Light
Sonoma Oak,
Kronospan



6
R20119LN American
Oak, Pfleiderer



9
R20168 LN
Sherwood Mocca,
Pfleiderer

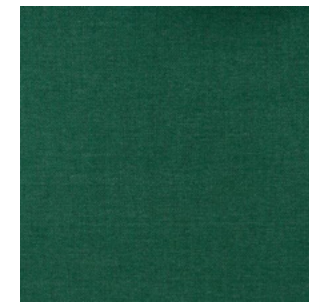
FABRIC Viggo



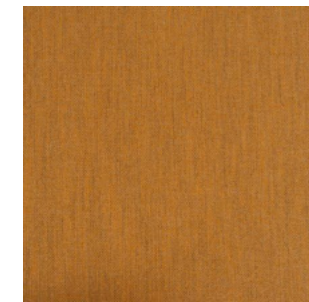
10 Sugar



36 Cinnamon



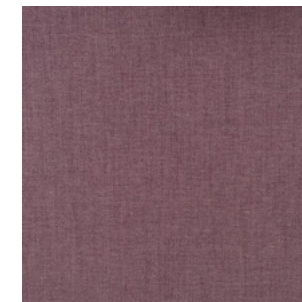
3 Avocado



5 Curry



11 Rose hip



51 Lilac



32 Soda



2 Indigo



17 Tin



7 Graphite

Manufacturer

Nevotex

Composition

93% Polyester
5% Cotton
2% Nylon

Width

140 cm

Abrasion resistance

78 700 MD

Weight

300 g/m²

Pilling

4

Flammability

BS 5852:1979 part 1
EN 1021 1:2014