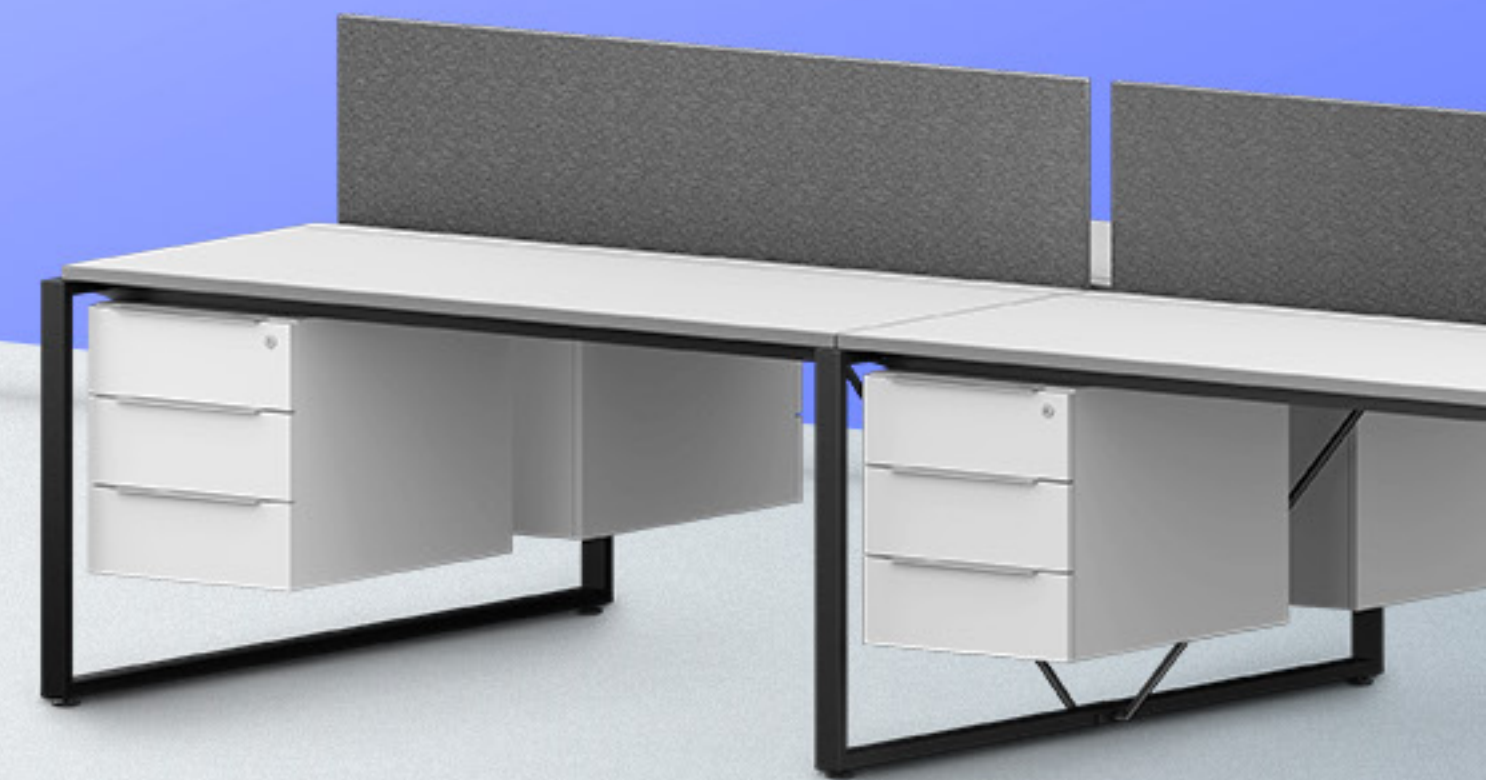


## I-TON SERIES DESKS

The I-TON office furniture system offers pure design, minimalism and functionality. Comfortable workstations can be created by combining the collection in many different ways.



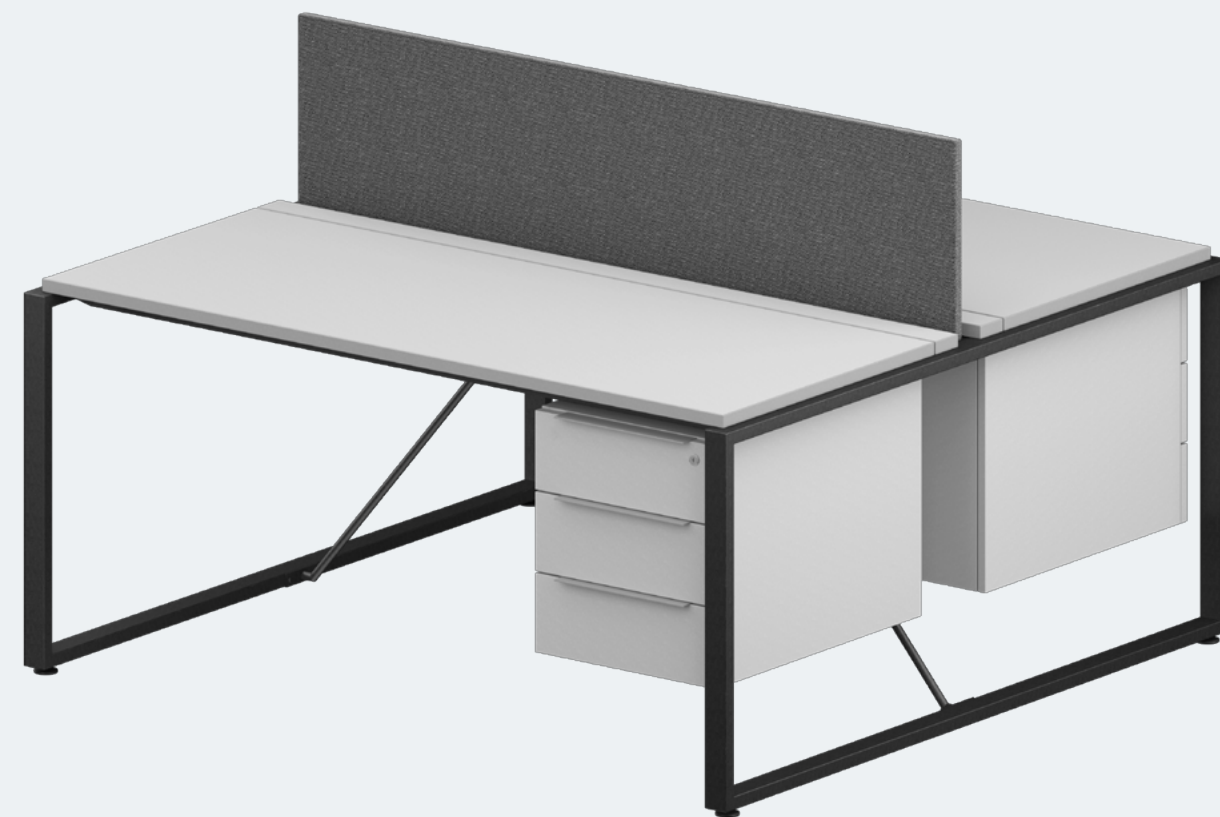




I-TON Desk / Modesty Panel



I-TON Desk / Acoustic Screen



I-TON Benching System (Double) / Acoustic Screen / Integrated Drawers



I-TON Benching System (Four Workstations) / Acoustic Screens / Integrated Drawers

### DESK TOP

- / 25 mm Melamine Faced Chipboard (MFC) with 2 mm ABS edging
- / Desks with cut-out for power hub
- / Benches with access to cable management

### LEGS

- / Metal profile 50x25 mm. Powder coated
- / Adjustable feet. Can be adjusted up to 10 mm

### METAL FRAME

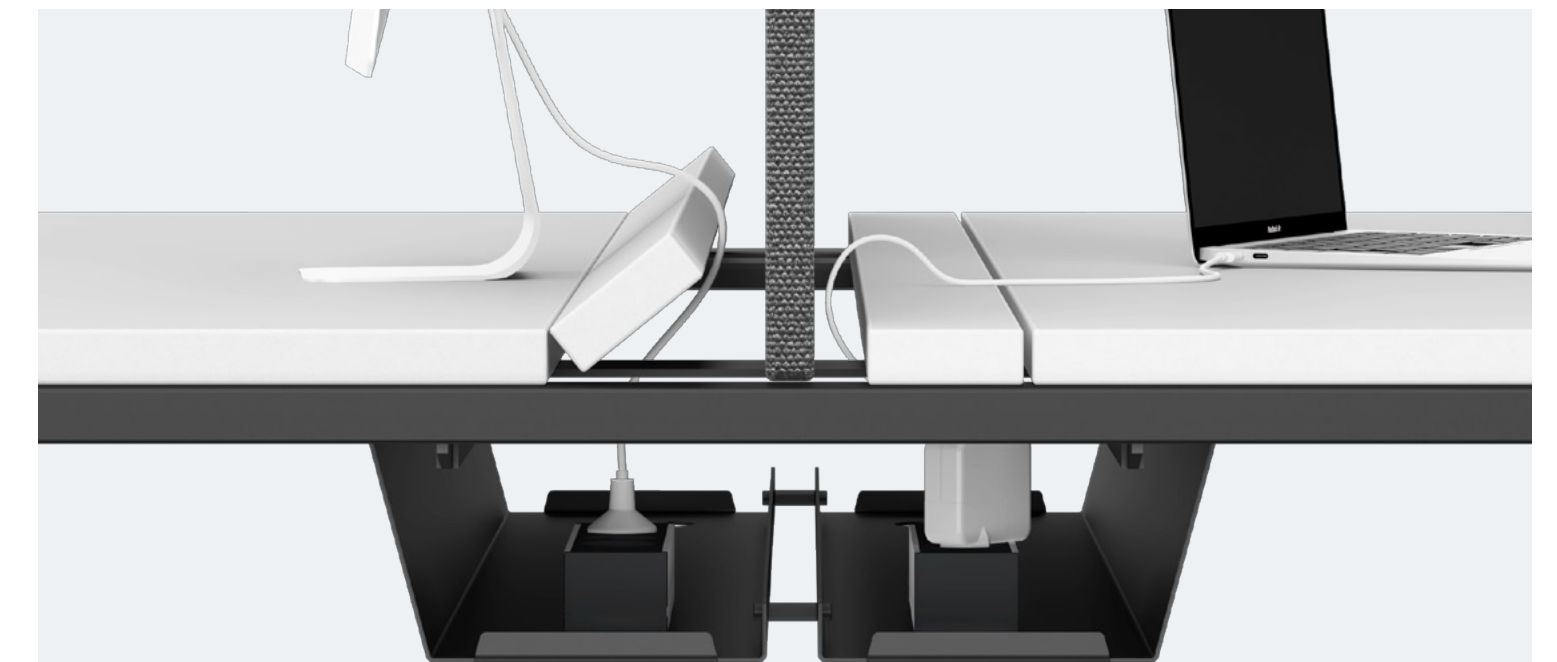
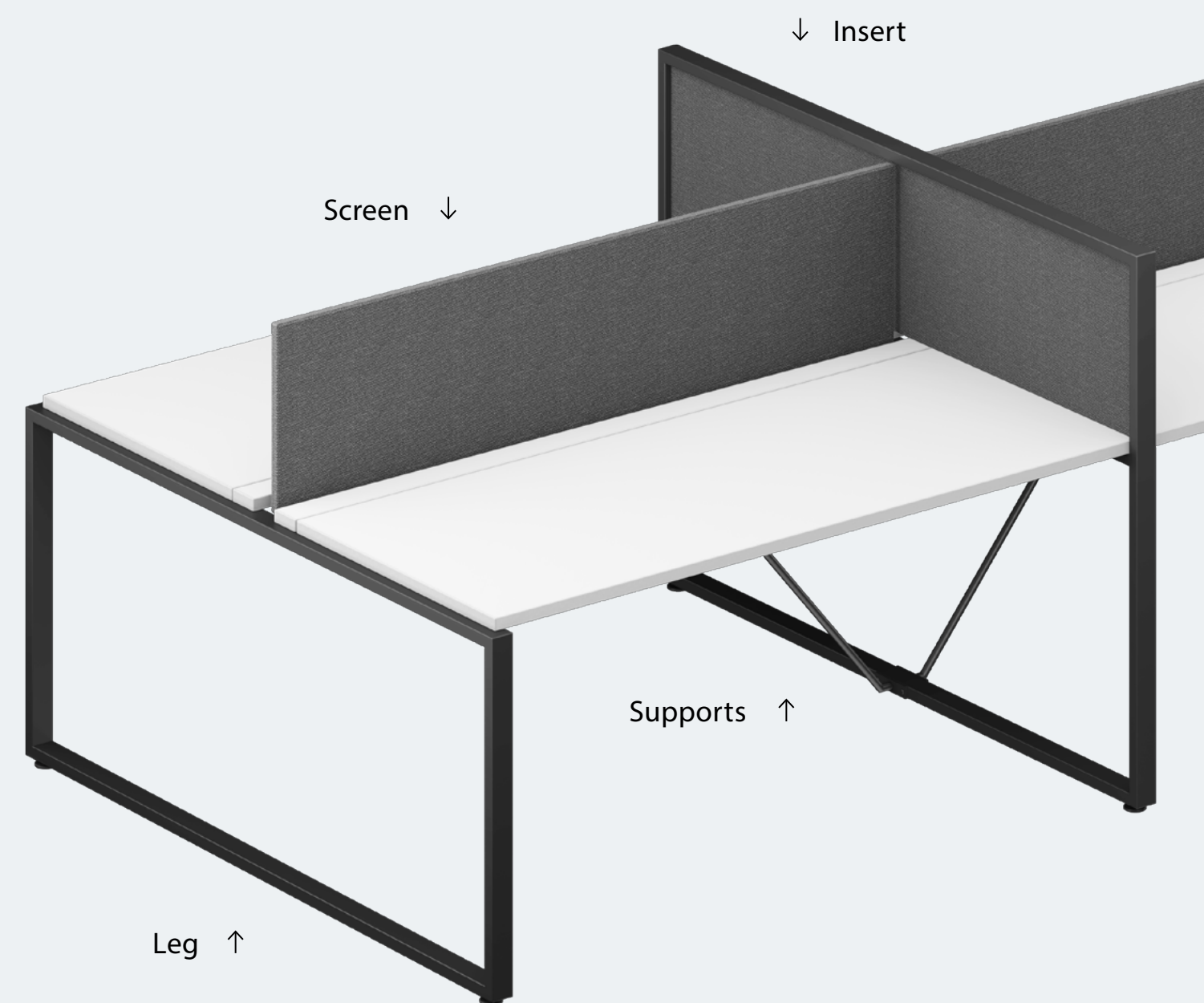
- / Fixed length. Metal profile 40x10 mm. Powder coated

### SUPPORTS

- / Metal tube Ø 16 mm. Powder coated

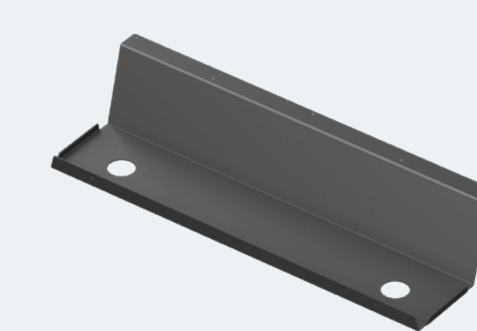
### INSERT

- / 18 mm chipboard. Thermo-bonded wadding. Fabric
- / Attached to the frame



### METAL TRAY

- / Attached to the desk top. Powder coated



### UNDER DESK CABINET

- / 18 mm Melamine Faced Chipboard (MFC) with 2 mm ABS edging
- / Attached to the frame
- / Metabox rails, white
- / Central locking



Aluminium handle ↑

Under desk cabinet ↑

### MODESTY PANEL

- / 18 mm Melamine Faced Chipboard (MFC) with 2 mm ABS edging

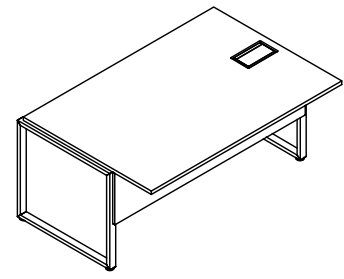


### SCREEN

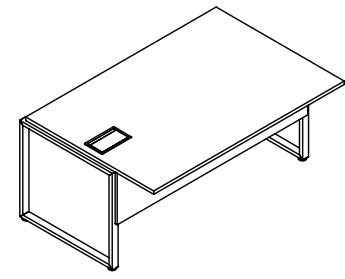
- / 18 mm chipboard. Thermo-bonded wadding. Fabric



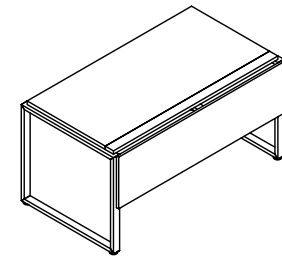




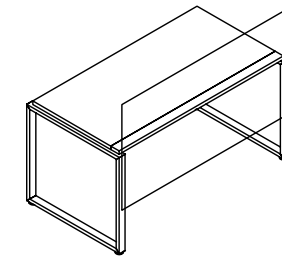
T20RL 1430 1100 745  
 T21RL 1650 1100 745  
 T22RL 1850 1100 745



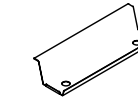
T20RR 1430 1100 745  
 T21RR 1650 1100 745  
 T22RR 1850 1100 745



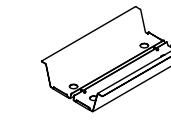
T10R 1430 793 745  
 T11R 1650 793 745  
 T12R 1850 793 745



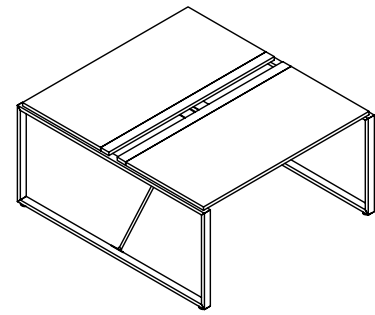
T06R 1430 793 745  
 T07R 1650 793 745  
 T08R 1850 793 745



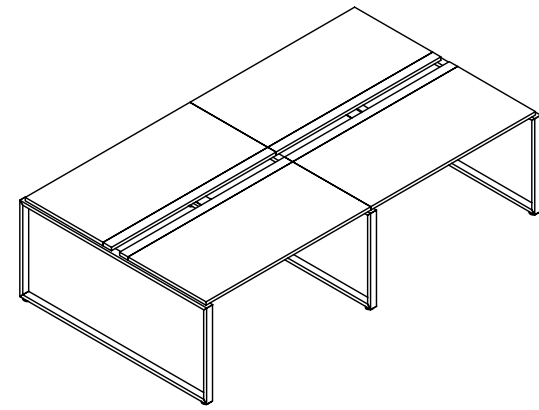
T1.80 800 243 150  
 T1.100 1000 243 150



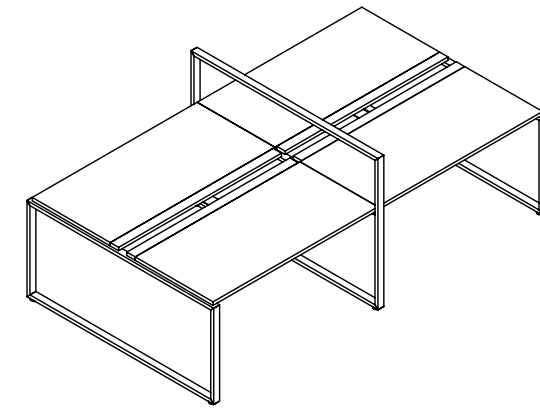
T2.80 800 512 150  
 T2.100 1000 512 150



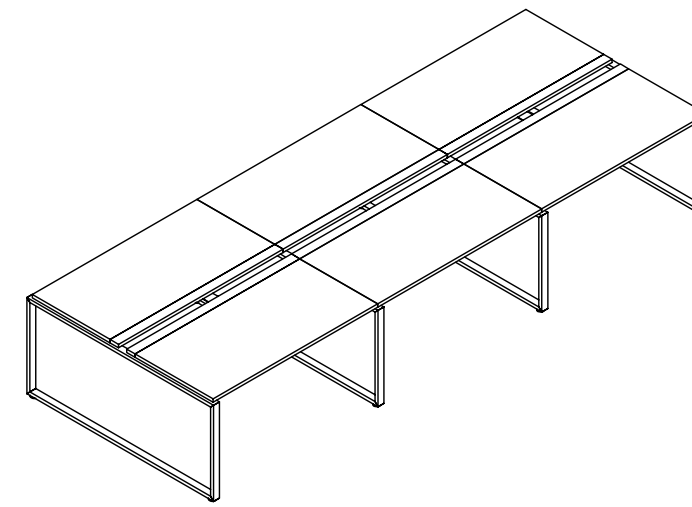
T30R 1430 1570 745  
 T31R 1650 1570 745  
 T32R 1850 1570 745



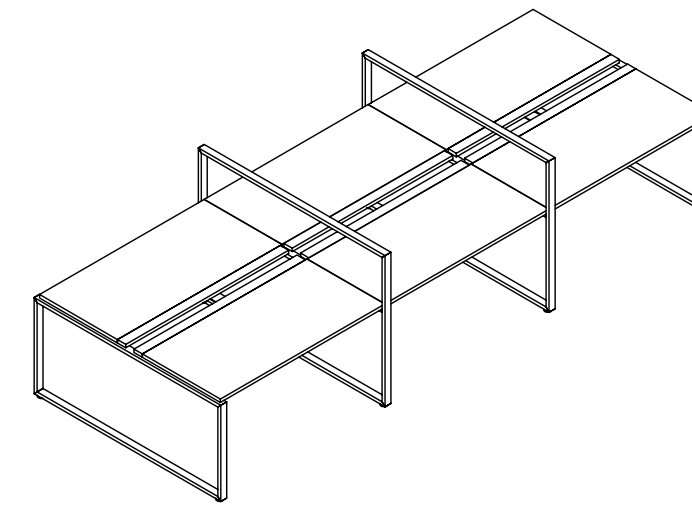
T33R 2810 1570 745  
 T34R 3250 1570 745  
 T35R 3650 1570 745



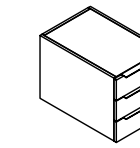
T36R 2810 1570 1120  
 T37R 3250 1570 1120  
 T38R 3650 1570 1120



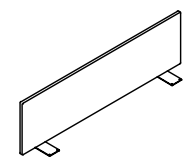
T90R 4190 1570 745  
 T91R 4850 1570 745  
 T92R 5450 1570 745



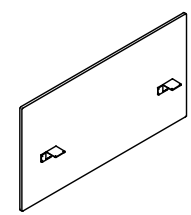
T93R 4190 1570 1120  
 T94R 4850 1570 1120  
 T95R 5450 1570 1120



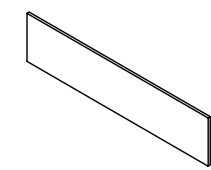
TK01 420 635 450



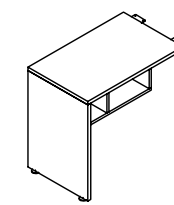
TX14R 1330 22 375  
 TX16R 1550 22 375  
 TX18R 1750 22 375



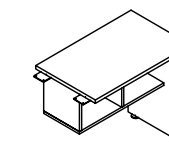
TX24 1380 22 750  
 TX26 1600 22 750  
 TX28 1800 22 750



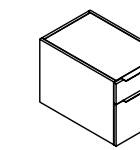
TIX02 1520 22 350



TRSL 800 500 745



TRSR 800 500 745



TK02 420 635 450



## METAL



W3  
RAL 9003 white,  
smooth matt



G6  
RAL 9006, metallic

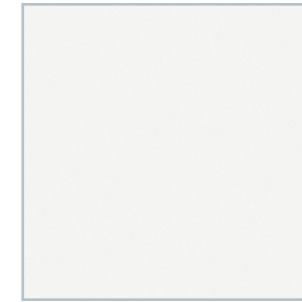


G2  
RAL 7012 basalt  
grey, smooth matt



B  
RAL 9005 black,  
smooth matt

## MFC



1  
W10003VV White,  
Pfleiderer



2  
U708 ST9 Light Grey,  
Egger



7  
U12290MP  
Anthracite,  
Pfleiderer



8  
3025 SN Light  
Sonoma Oak,  
Kronospan



6  
R20119LN American  
Oak, Pfleiderer



9  
R20168 LN  
Sherwood Mocca,  
Pfleiderer

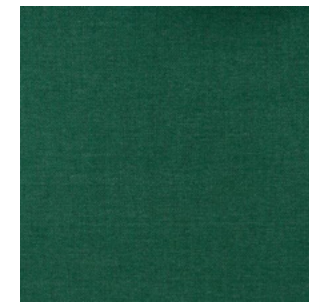
## FABRIC Viggo



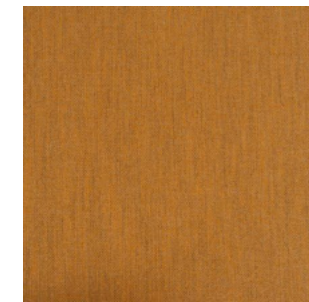
10 Sugar



36 Cinnamon



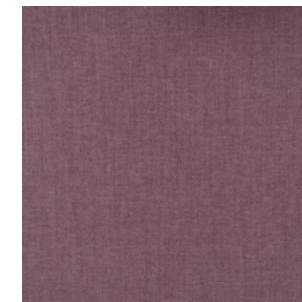
3 Avocado



5 Curry



11 Rose hip



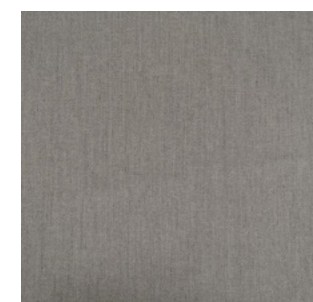
51 Lilac



32 Soda



2 Indigo



17 Tin



7 Graphite

### Manufacturer

Nevotex

### Composition

93% Polyester  
5% Cotton  
2% Nylon

### Width

140 cm

### Abrasion resistance

78 700 MD

### Weight

300 g/m<sup>2</sup>

### Pilling

4

### Flammability

BS 5852:1979 part 1  
EN 1021 1:2014